

SFP Series

Gigabit Ethernet SFP Transceiver Modules

Key Features



- Hot pluggable LC Duplex Connector
- IEEE 802.3z compliant
- Industry standard compliance
- Low power dissipation
- Class 1 laser product, complies with International Safety Standard IEC 825
- ROHS Compliant

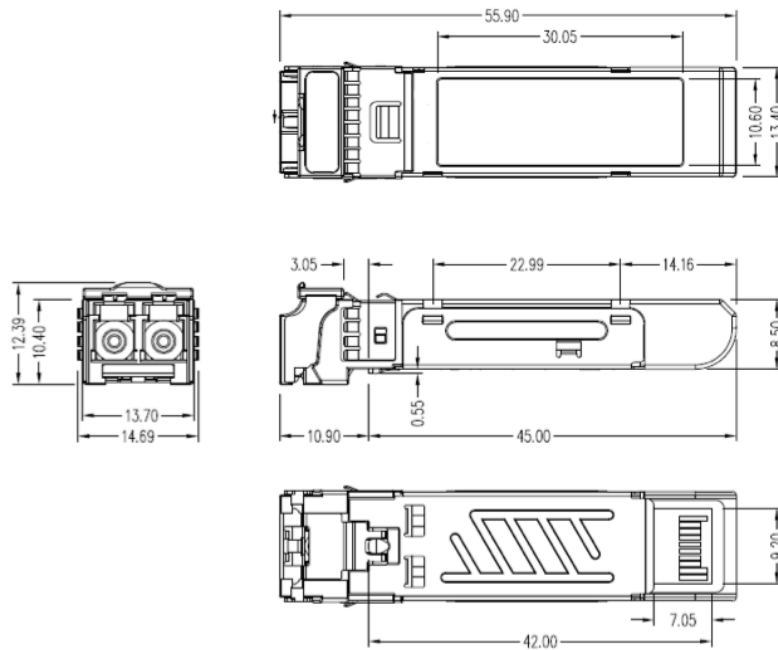
Reliable, high-performance SFP transceiver modules for Gigabit Ethernet applications

EnGenius Small Form-Factor Pluggable (SFP) transceiver is an industry standard hot-swappable device that plugs into the SFP port or slot and link the port with the network.

Model No.	SFP2185-05	SFP2213-10
Connector Type	LC	LC
Data Rate	1.25Gbps	1.25Gbps
Wavelength	850nm	1310nm
Fiber Type	MMF	SMF
Max Transmission Distance	0.5km	10km
Transmitter Characteristics		
Supply Voltage	3.15 ~ 3.45V	3.15 ~ 3.45V
Supply Current	160mA	160mA
Optical Power	-10 ~ -3dBm	-9 ~ -2dBm
Receiver Characteristics		
Supply Voltage	3.15 ~ 3.45V	3.15 ~ 3.45V

Supply Current	160mA	160mA
Maximum Receiver Power	-3dBm	-3dBm
Optical Receiver Sensitivity	-18dBm	-20dBm
Physical Specifications		
Dimensions (WxDxH)	13.72 x 56.64 x 12.43mm	
Weight	25g	
Environmental Limits		
Operating Temperature	0°C to 70°C (32°F to 158°F)	
Storage Temperature	-40°C to 85°C (-40°F to 185°F)	

Dimension



Unit: mm

Ordering Information

Product No.	Product Description
SFP Transceivers	
SFP2185-05	1000BASE-SX SFP Transceiver, 850nm, 0.5km
SFP2213-10	1000BASE-LX SFP Transceiver, 1310nm, 10km
PoE Smart Switch	
EGS2110P	8-Port Gigabit PoE Smart Switch with 2 Gigabit SFP, 61.6w
EGS5110P	8-Port Gigabit PoE+ Smart Switch with 2 Gigabit SFP, 130w
PoE+ Layer 2 Managed Switch	
EGS5212FP	8-Port Gigabit PoE+ L2 Managed Switch with 2 GbE Ports and 2 Gigabit SFP; 130w
EGS7228P	24-Port Gigabit PoE+ L2 Managed Switch with 4 Dual-Speed SFP; 185w
EGS7228FP	24-Port Gigabit PoE+ L2 Managed Switch with 4 Dual-Speed SFP; 370w
EGS7252FP	48-Port Gigabit PoE+ L2 Managed Switch with 4 Dual-Speed SFP; 740w
Wireless Management Switch	
EWS5912FP	8-Port Gigabit PoE+ L2 Wireless Management Switch with 2 GbE Ports and 2 Dual-Speed SFP; 130w
EWS7928P	24-Port Gigabit PoE+ L2 Wireless Management Switch with 4 Dual-Speed SFP; 185w
EWS7928P	24-Port Gigabit PoE+ L2 Wireless Management Switch with 4 Dual-Speed SFP; 370w
EWS7952FP	48-Port Gigabit PoE+ L2 Wireless Management Switch with 4 Dual-Speed SFP; 740w

SFP Data sheet 220715

Maximum data rates are based on IEEE 802.11 standards. Actual throughput and range can vary depending on many factors including environmental conditions, distance between devices, radio interference in the operating environment, and mix of devices in the network. Features and specifications subject to change without notice. Trademarks and registered trademarks are the property of their respective owners. Copyright © 2015 EnGenius. All rights reserved.

Learn more about EnGenius Solution at www.engeniustech.com.sg